

Announcement

Leading Firms Join their Efforts to Provide Comprehensive Hands-on Training for Substation Automation using IEC 61850

Karlsruhe (Germany) / Ludvika (Sweden), 01 August 2008, NettedAutomation GmbH and STRI today announced a strategic education and service alliance to serve all experts of the power delivery system in the application of IEC 61850 compliant tools, devices (IEDs) and systems worldwide. The two organizations provide vendor-independent and up-to-date experience and information offering hands-on training on the most crucial parts of IEC 61850 and using real tools and real devices.

The big vendors like ABB, AREVA, GE, and Siemens are speeding up quite fast. In order for users to utilize the benefits of IEC 61850 it is necessary for the generation, transmission and distribution companies to start now with the awareness and education program for their most crucial asset – people, and start the migration to IEC 61850.

The joined effort will focus on all aspects of the application of the new standard series IEC 61850 in substation automation and power generation systems. The new effort provides a comprehensive, cost effective suite of services helping utilities plan, develop, implement and manage a successful path to electric transmission and distribution applying advanced IEC 61850 compliant engineering and configuration tools and devices.

The comprehensive hands-on training course (for all experts dealing with procurement specifications, design, engineering, configuration, installation, commissioning, testing, operation, maintenance, diagnosis, service et cetera) offers the theory and philosophy of IEC 61850 and comprehensive hands-on training for multivendor IEDs and Substation Configuration Language (SCL). The first neutral hands-on training is scheduled for Ludvika (Sweden) on 25-28 November 2008. Other training sessions for 2009 are planned. Inhouse training courses are on request. The current setup of the test lab in Ludvika is shown on page 2. Further details can be found here:

<http://nettedautomation.com/seminars/uca/> and www.stri.se/iec61850

About NettedAutomation

NettedAutomation's lecturer Karlheinz Schwarz (Schwarz Consultant Company) has a unique and recognized know-how of IEC 61850 and has immense experience in the migration from proprietary or other solutions to standard compliant solutions. He is involved in standardization activities within ICE, CENELEC, IEEE, and DIN. In 2007 he received the IEC 1906 Award "for his strong involvement in the edition of the IEC 61850 series, its promotion inside and outside IEC, and specifically its adaptation for wind turbine plant control".

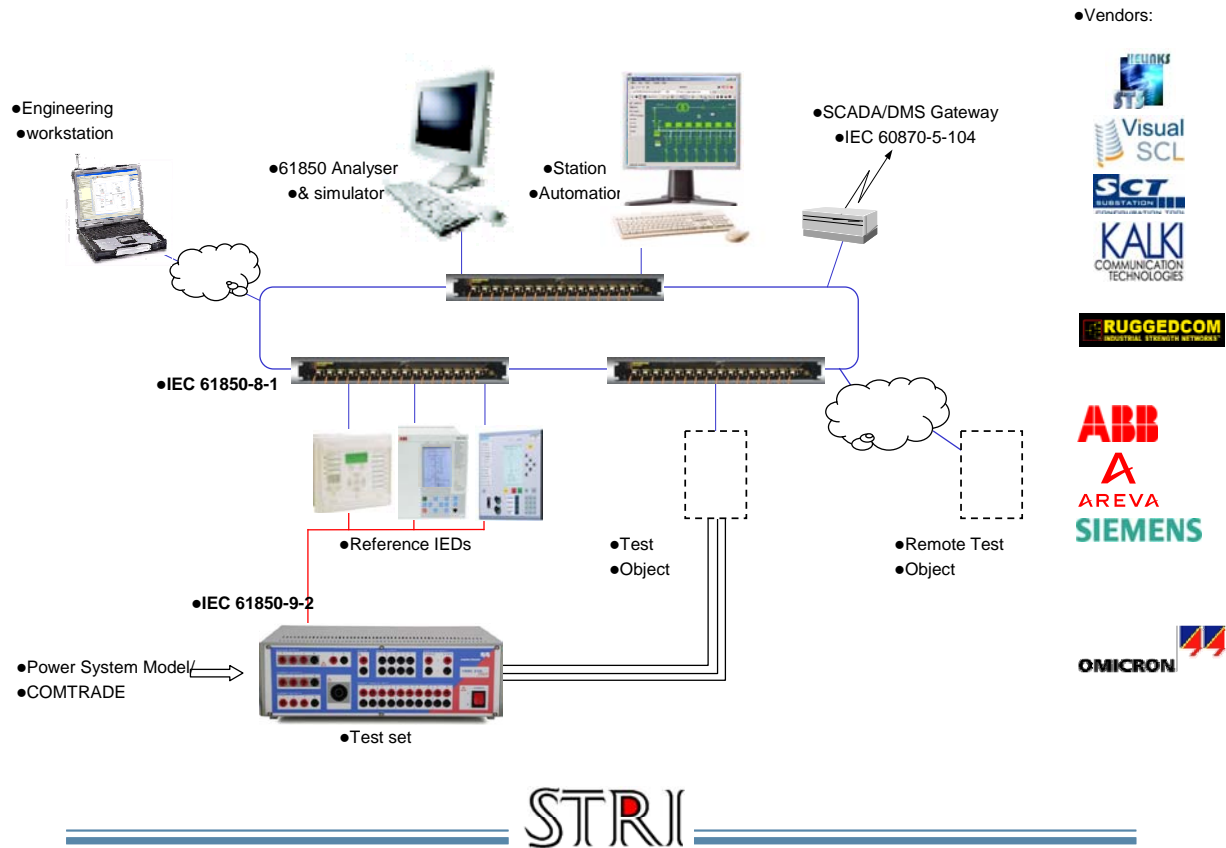
http://nettedautomation.com/download/SCC-Profile-en_2008-01-16.pdf

About STRI

STRI is an accredited high voltage laboratory and independent technical consulting company with its competence extended with multivendor interoperability testing facilities for IEC 61850 and consulting services for the implementation for IEC 61850. The lab comprises IEDs and tools from ABB, Areva and Siemens and test instruments from Omicron and Doble. Lecturers Gunnar Stranne and Carl Ohlen have more than 30 years experience within the field of protection, control and substation automation both in Europe and the Americas. Nicholas Etherden has several years experience in the development and configuration of IEC 61850 IEDs and Anders Fahlström has several years experience of IT & Ethernet communication.

Current setup of typical devices at the STRI laboratory to be used for the first hands-on training course in November 2008:

STRI INDEPENDENT INTEROPERABILITY LABORATORY FOR IEC 61850



A complete substation can be modeled using state-of-the art IEDs from ABB, Areva and Siemens, switches from RuggedCom and test sets from Omicron and Doble. Additional IEDs, switches, gate ways and test sets from other manufacturers can be added. Vendor specific as well as third party software is used for IEC 61850 engineering and configuration. The interoperability verification will consequently cover both IEDs, switches, software and test sets.

Contact:

Carl Öhlén
Manager Marketing & Management Consulting
STRI AB
Box 707
SE-771 80 LUDVIKA, Sweden
Direct phone +46 (0)240 795 02
Mobile +46 (0)70-6179562
Fax +46 (0)240 807 66
carl.ohlen@stri.se

Karlheinz Schwarz
NettedAutomation GmbH
Im Eichbaeumle 108
76139 Karlsruhe
Germany
Phone +49-721-684844
Fax +49-721-679387
karlheinz.schwarz@nettedautomation.com